

ROUND BOTTOM FRAC TANK



STANDARD FEATURES

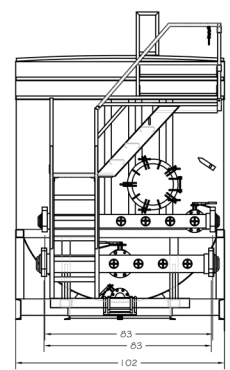
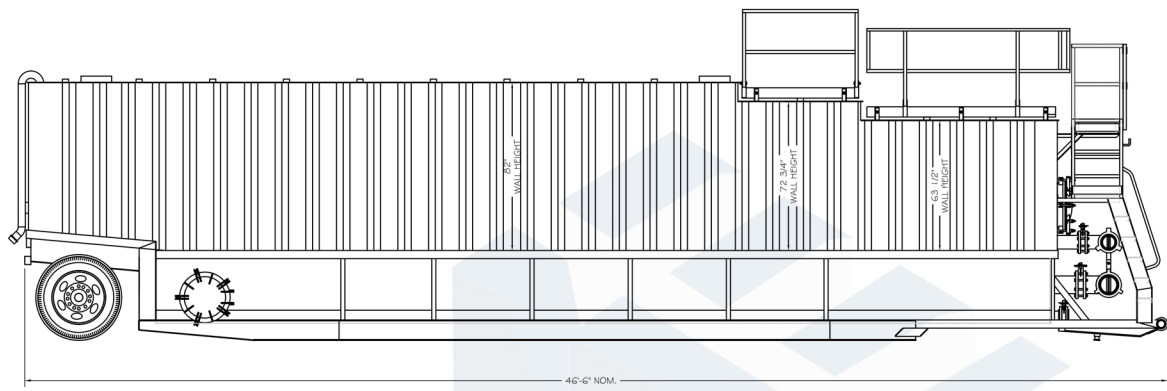
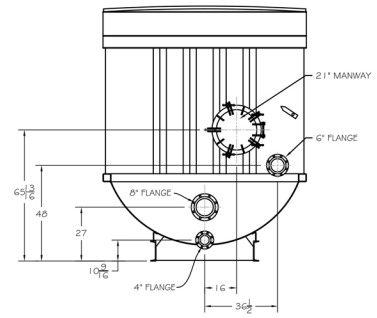
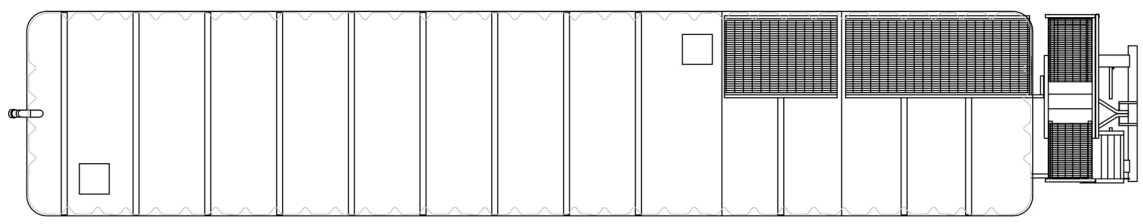
- 1/4 " STEEL PLATE TANK CONSTRUCTION
- SMOOTH INTERIOR WALLS FOR EASY CLEANING
- ROUND BOTTOM FLOOR FOR BETTER DRAINAGE
- 3" ELBOW FILL LINE WITH CAP
- FLANGE MOUNT BLAYLOCK LL10 P/V VENT 16OZ PRESSURE, 0.4 VAC SETTING
- 2" COUPLING WITH PLUG
- 4" FLANGE WITH BLIND COVER
- 21" MANWAY DOMED LID AND BARS
- SAFETY WALK WAY (36" GRATING)
- ACCESS STAIRS
- LEVEL GAUGE WITH 8" STAINLESS STEEL BALL, "Y" SUPPORT HOLD BALL 1" MIN. OFF FLOOR
- FRONT DRAIN WITH VALVE, THREADED FLANGE, PLUG, CHAIN
- 21" MANWAY, DOMED LID
- 11.00 X 22.5 TUBELESS TIRE ON 10 HOLE STEEL WHEEL
- FOLDING HAND RAILS
- 4" FLANGE VALVE, THREADED FLANGE PLUG, CHAIN REMOTE, OPERATION HANDLE DRUMS, HUTCH 9700 SUSPENSION, 3 LEAF HIGH ARCH SPRINGS
- DOT TAIL LIGHTS & LOWER MARKET LIGHTS, NO TOP LIGHTS
- 4" COUPLING WITH PLUG



NATIONAL
TANK & EQUIPMENT

FOR MORE INFO : NTERENTS.COM | 888.213.7950

ROUND BOTTOM FRAC TANK



CAUTION: THIS LIQUID STORAGE TANK MUST BE EMPTY FOR TRANSPORT

SPECIFICATIONS

- 1/4" STEEL PLATE TANK CONSTRUCTION
- 3" FILL LINE
- MANWAYS LOCATED ON FRONT, SIDE & TOP
- 4" DRAINS AND FRONT INLET/OUTLET
- HEAVY-DUTY NOSEBAR ASSEMBLY
- ROLLED PLATE FLOOR
- 4-BOTTOM SUPPORT BEAMS
- 460 AND 500 BBL CAPACITY
- ALL 1/4" PLATE CONSTRUCTION
- HEAVY-DUTY FLOOR SUPPORTS
- TANK PRESSURE/VACUUM RELIEF VENT
- LEVEL GAUGING



FOR MORE INFO : NTERENTS.COM | 888.213.7950